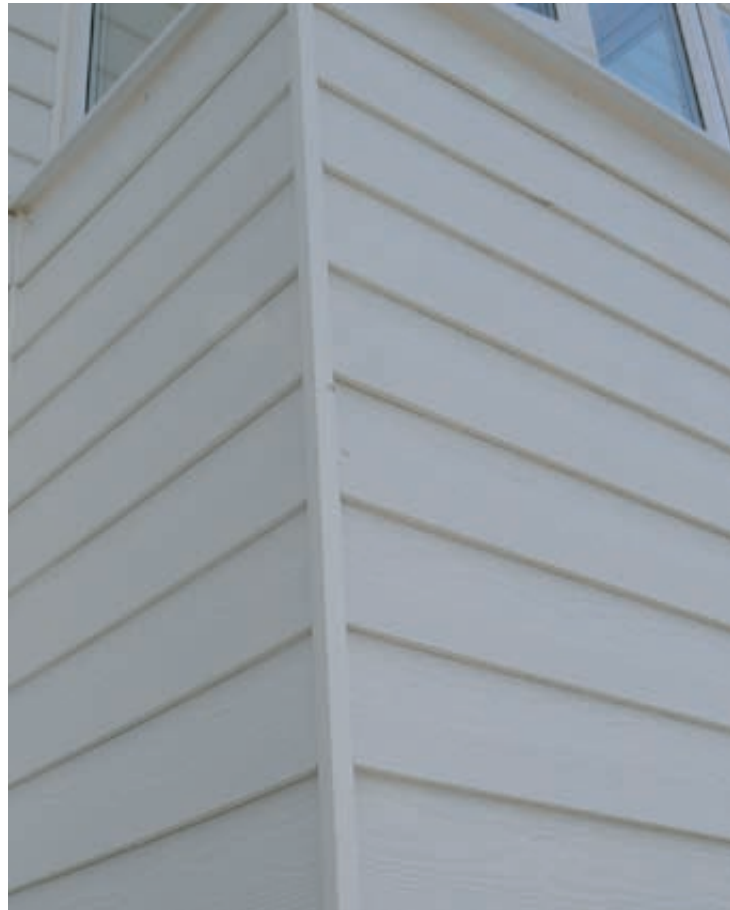
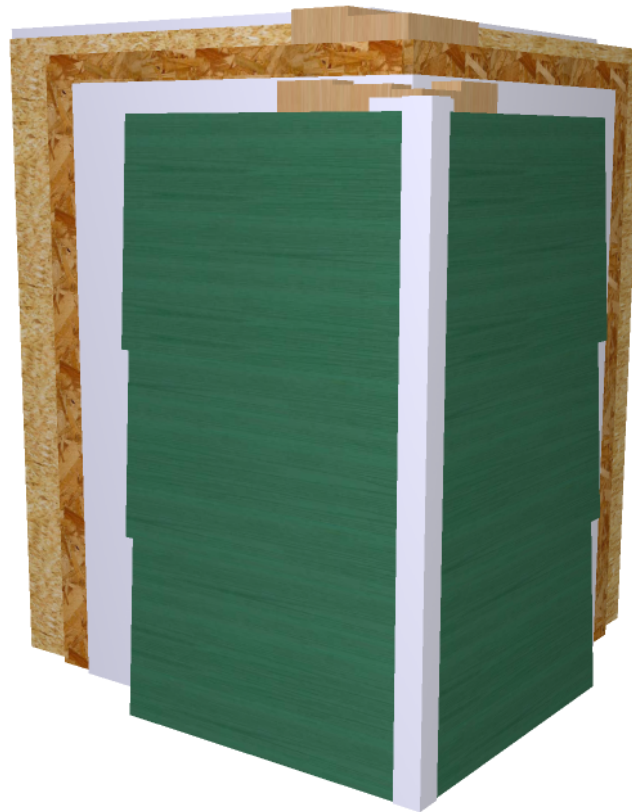


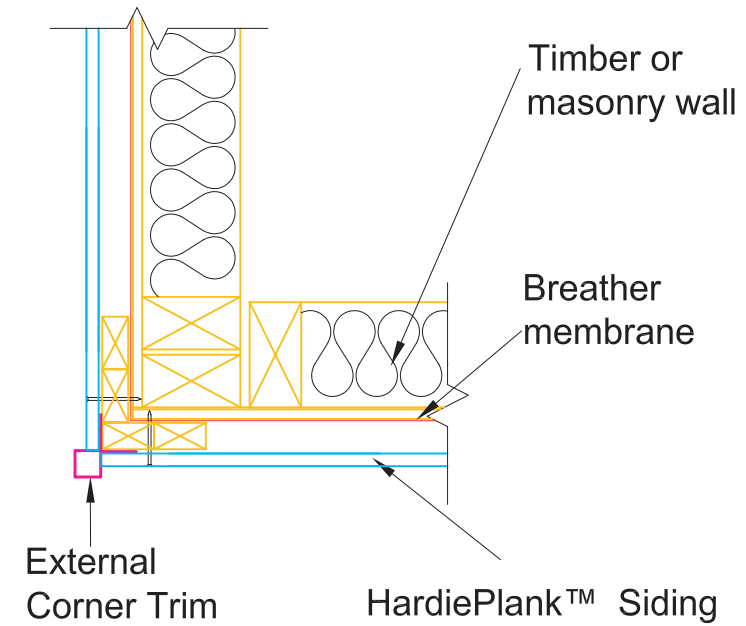
Actual Photograph



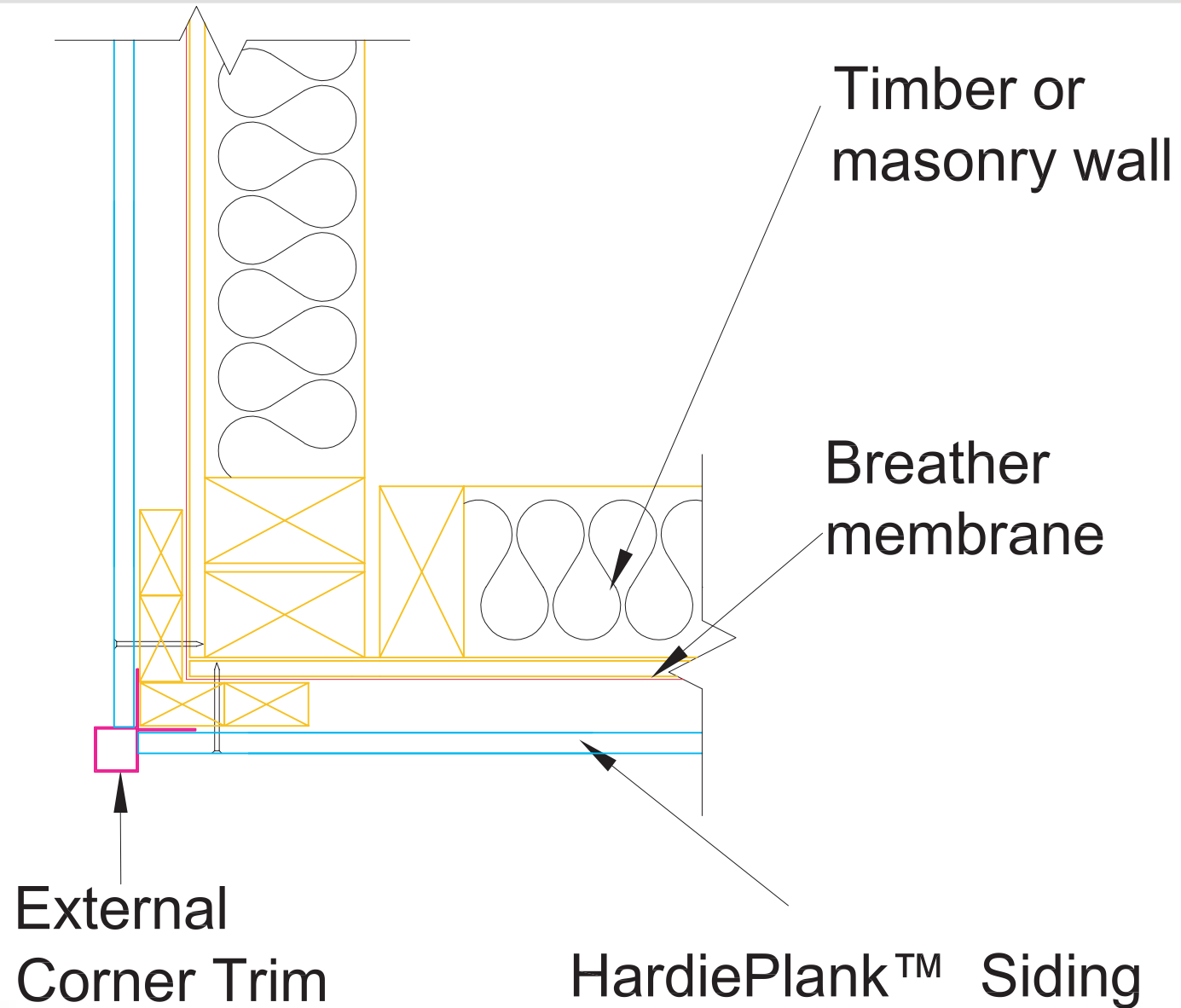
3D Interactive Model



2D Construction Detail



2D Construction Detail



Timber or
masonry wall

Breather
membrane

External
Corner Trim

HardiePlank™ Siding