



 **JamesHardie**

**HardieFloor**<sup>®</sup>  
SMART FLOORING SOLUTIONS<sup>™</sup>

# HARDIEFLOOR®

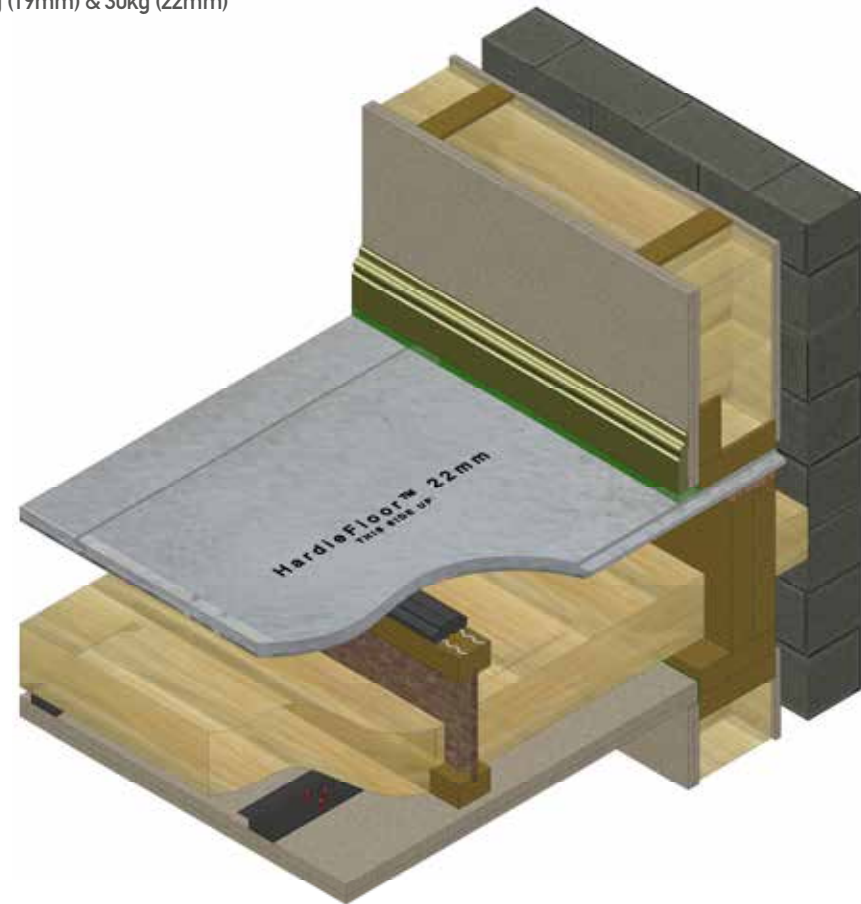
HardieFloor® structural flooring is a revolutionary tongue and groove flooring substrate to support all floor finishes. It has patented fibre cement technology to guarantee a floor that's not only durable and lightweight, but also robust.

## SPECIFICATION

Sheet size: 2400mm x 500mm

Thickness: 19mm & 22mm

Weight per sheet: 26kg (19mm) & 30kg (22mm)



## KEY FEATURES



**DIRECT TO  
JOIST &  
COMPACT**



**CONDUCTS  
HEAT**



**EASY TO  
INSTALL**



**FIRE  
RESISTANT**



**WATER  
RESISTANT**



**HIGH POINT  
LOAD**

# HARDIEFLOOR DB®

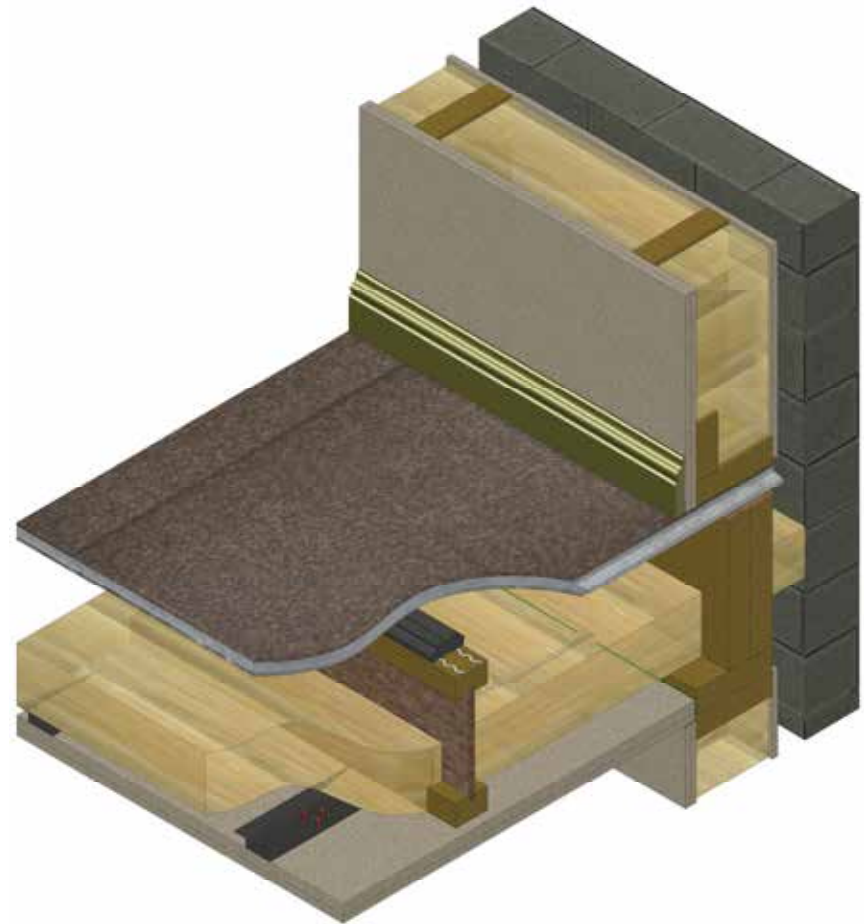
Our acoustic systems not only offer all the benefits of fibre cement structural flooring, but also enhanced airbourne and impact performance.

- Offers exceptional airbourne noise reduction, outperforming many existing systems
- Offers exceptional impact noise reduction, being one of the best performing systems on the market

## SPECIFICATION

Thickness: 27mm

Weight per sheet: 35kg



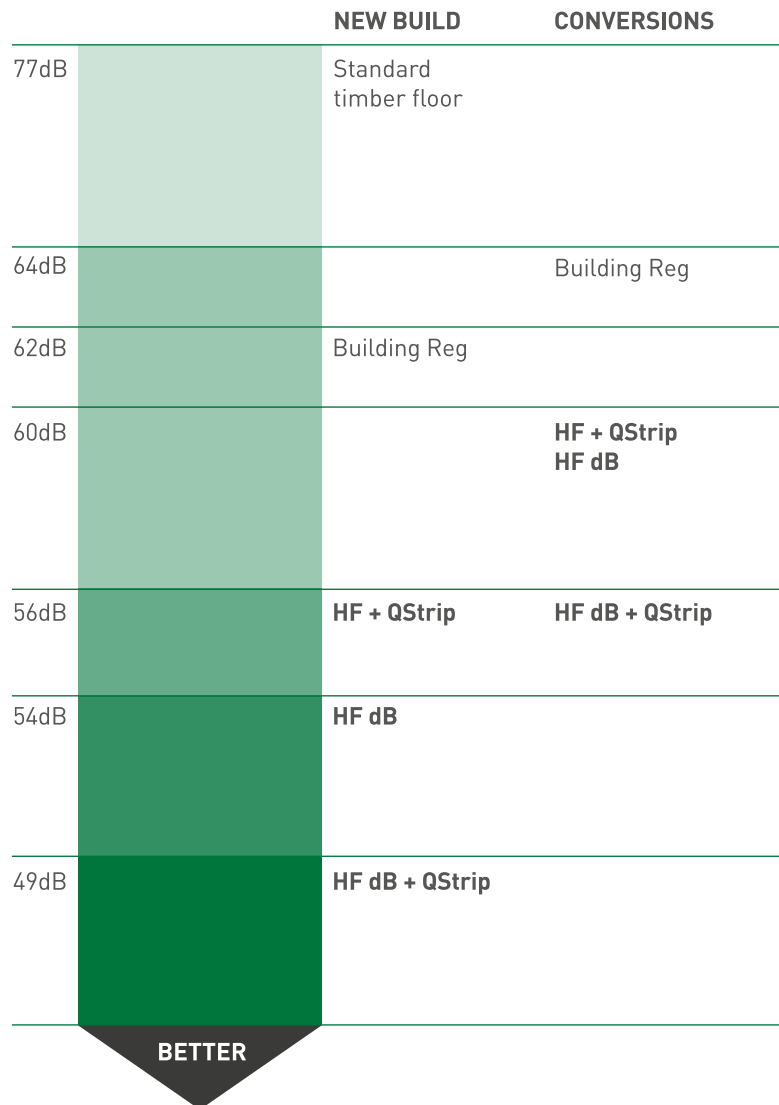
## HARDIEQSTRIP® ACCESSORY

HardieQStrip® acoustic batten can be used as an accessory for both HardieFloor® and HardieFloor dB® structural floors. It is a robust batten fixed between the joist and substrate to further enhance acoustic performance.

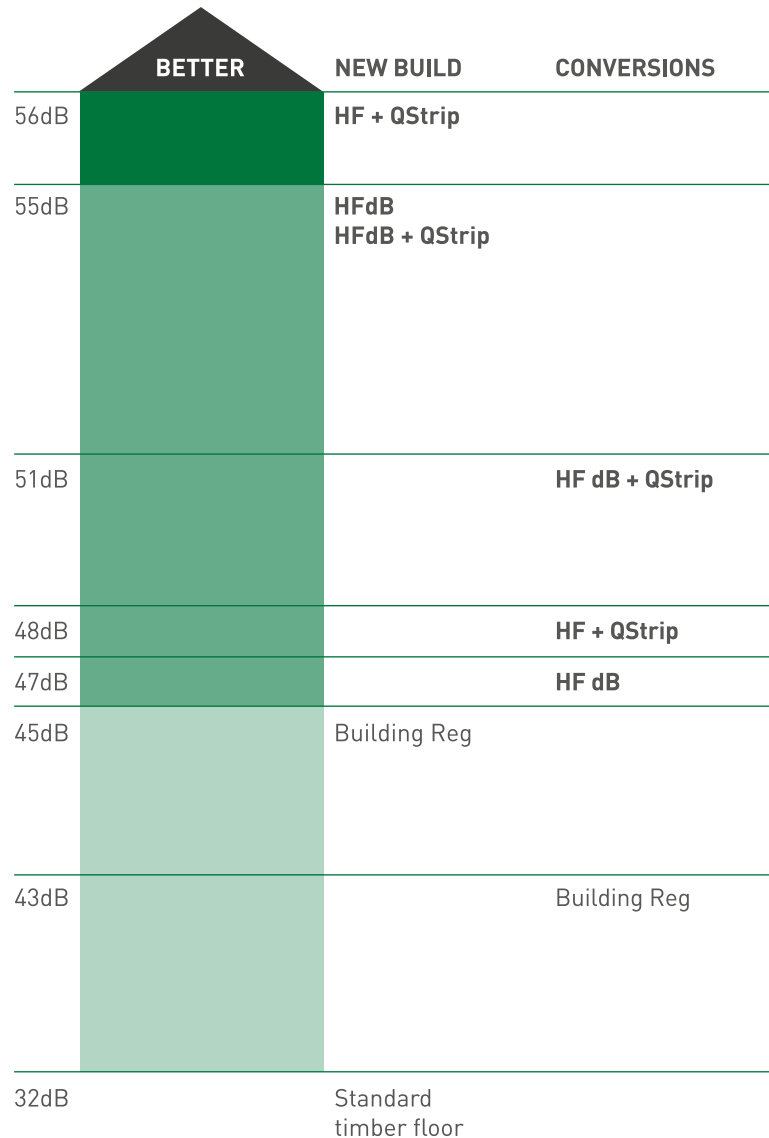


# WHICH SOLUTION PERFORMS BEST?

## IMPACT



## AIRBOURNE



NB: All test results are based on  $R_w + CTR$  figures.

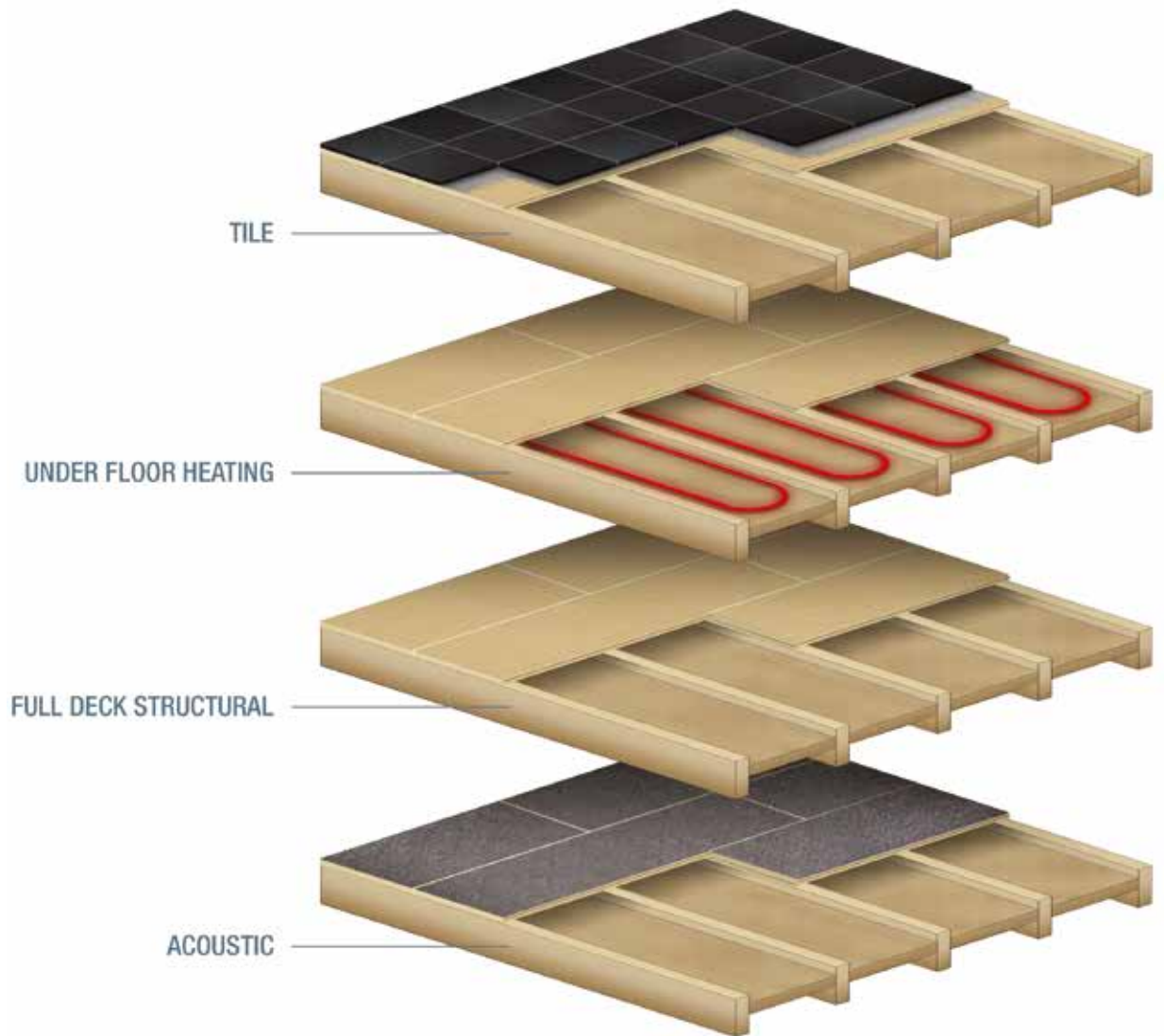
## HARDIEFLOOR® SOLUTIONS - THE SMART CHOICE

- ✓ Ultimate design flexibility – accepts any floor finish
- ✓ Simple speedy install, direct to joist
- ✓ Highly effective with underfloor heating
- ✓ Slim-line boards to reduce floor build up
- ✓ High structural stability
- ✓ Robust feel underfoot
- ✓ Excellent thermal conductivity – the perfect partner for under floor heating
- ✓ Reduced system cost – performance that doesn't rely on dense insulation

# WHICH SMART FLOOR FOR YOUR PROJECT?

The HardieFloor® range offers a smart solution to meet all your structural flooring needs. Whether you want a robust, compact structural floor, a system that enhances underfloor heating, or the optimum in acoustic performance, we have a solution that's right for you.

Using pioneering SmartFloor™ Technology, the HardieFloor range provides a flooring solution with the robust, long lasting performance of fibre cement, as well as offering fire, water and impact resistance.





**HardieFloor**<sup>®</sup>  
SMART FLOORING SOLUTIONS<sup>™</sup>

T: 0800 0683103  
E: [info.europe@jameshardie.com](mailto:info.europe@jameshardie.com)

[www.jameshardie.co.uk](http://www.jameshardie.co.uk)

© 2014 James Hardie Building Products Ltd. All rights reserved. TM and ® denote trademarks of James Hardie Technology Ltd. A James Hardie 10 year limited warranty applies to all our all our fibre cement products. See [www.jameshardie.co.uk/warranty](http://www.jameshardie.co.uk/warranty) for terms and conditions.

