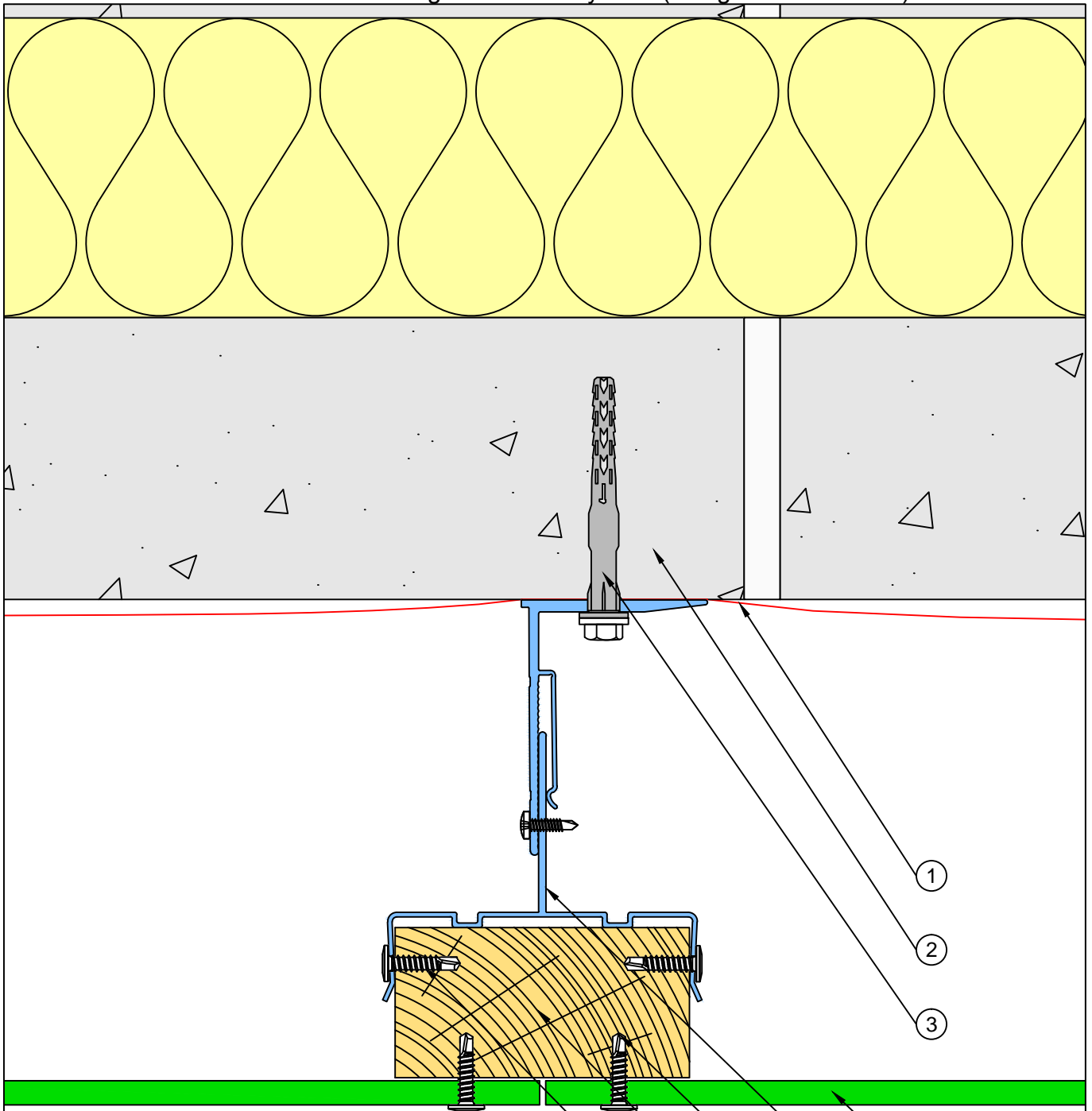


HardiePanel® - Framing onto Masonry Wall (straight flat substrate)



- 1 Breather Membrane - only required for low density / poor quality brick/blockwork
- 2 Masonry
- 3 Expanding anchor fixing
- 4 HardiePanel®
- 5 Aluminium Frame System
- 6 EJOT Self drilling fixing
- 7 Timber batten 100mm x 50mm
- 8 EJOT Self drilling fixing